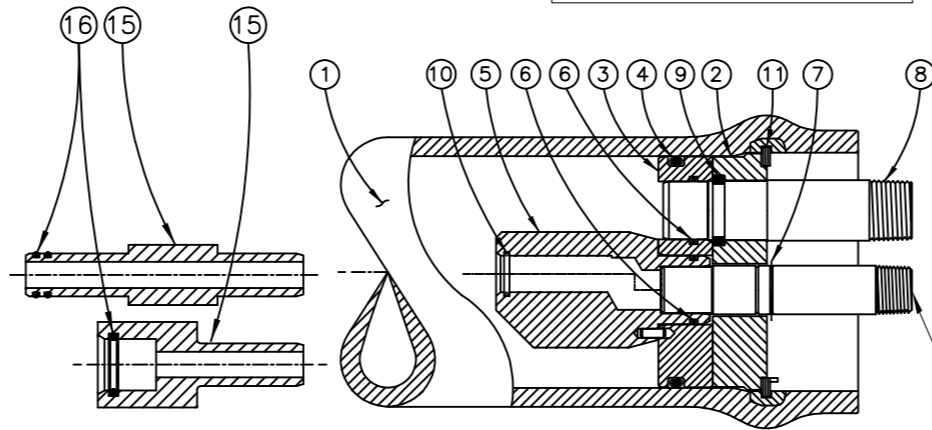


CENTER VESSEL ON 2 OR 3 SUPPORTS AT SPAN(S) "S" : 3 SUPPORTS REQUIRED FOR LENGTHS -4 AND OVER

CAUTION: INCORRECT MANIFOLDING WILL CAUSE SEVERE LOCAL STRESS AROUND PORT AND MAY RESULT IN LEAKS AND PREMATURE FAILURE; TAKE EVERY PRECAUTION LISTED ON PAGE 02, SEE INSTALLATION INSTRUCTIONS FOR FURTHER DETAILS



WARNING ⚠️ INTERNAL PORT PRESSURE NOT TO EXCEED 125 PSI

SECTION THROUGH END CLOSURE

DWG REF	QTY	PART NUMBER	DESCRIPTION	MATERIAL
SHELL				
1	1	418091	SHELL	Filament Wound Epoxy/Glass composites-Head locking grooves integrally wound in place.
HEAD				
2	2	47471	Bearing Plate	SB-221 A96061-T6
3	2	50481	Sealing Plate	Engineering Thermoplastic.
4	2	45317	Head Seal	Ethylene Propylene - O - Ring
5	2	47469*	Permeate Port	Engineering Thermoplastic.
6	4	45299	Permeate Port Seal	Ethylene Propylene - O - Ring
7	2	45244	Port Retainer	PH 15-7 Mo Stainless Steel.
8	2	47472	Feed/Conc. Port	SA-790 UNS S32750
9	2	50489	Port Retainer Set	Cast SS,CF8M Two-piece set.
10	2	45294	Adapter Seal	Ethylene Propylene - O - Ring
HEAD INTERLOCK				
11	2	45260	Retaining Ring	SA-479 SS-316
VESSEL SUPPORT				
12	2*	45058	Saddle	Engineering Thermoplastic.
13	2*	47459	Strap Assy.	304 Stainless Steel - PVC cushion
14	4**	97821	Strap screw.	5/16-18 UNC,1.5" L, 18-8 Stainless Steel.
ELEMENT INTERFACE				
15	2	A/R	Adapter	Engineering Thermoplastic.
16	A/R	A/R	PWT Seal	Ethylene Propylene - O - Ring

Dash Length	L IN(MM)	S IN(MM)	F IN(MM)	Approx Weight LB(KG)
-1	56.60 (1438)	28X1 (711)	54.10 (1374)	21 (10)
-2	96.60 (2454)	56X1 (1422)	94.10 (2390)	31 (14)
-3	136.60 (3470)	80X1 (2032)	134.10 (3406)	41 (19)
-4	176.60 (4486)	64X2 (1626)	174.10 (4422)	51 (23)
-5	216.60 (5502)	78X2 (1981)	214.10 (5438)	62 (28)
-6	256.60 (6518)	92X2 (2337)	254.10 (6454)	71 (32)
-7	296.60 (7534)	106X2 (2692)	294.10 (7470)	81 (37)

*3 & **6 Each Furnished With Length Code 4, 5, 6 & 7.

GENERAL NOTES:

1. DIMENSION IN INCHES (MM APPROX).
2. NO TO BE USED FOR CONSTRUCTION UNLESS CERTIFIED.
3. SHELL EXTERIOR COATED WITH WHITE RAL 9003, HIGH GLOSS POLYURETHANE PAINT. #196315 - (OPTIONAL)

THIS DOCUMENT AND THE INFORMATION CONTAINED HEREIN, ARE THE CONFIDENTIAL AND PROPRIETARY INFORMATION OF PENTAIR INDIA PVT. LTD. PENTAIR INDIA PVT. LTD. IS THE SOLE OWNER OF THE INFORMATION AND PROCESSES DEFINED HEREIN. THIS DOCUMENT, AND THE INFORMATION CONTAINED, MAY NOT BE DISCLOSED, REPRODUCED, DUPLICATED, USED, SOLD, PUBLISHED, COMMUNICATED OR OTHERWISE DISTRIBUTED, IN WHOLE OR IN PART, FOR ANY PURPOSE WITHOUT THE EXPRESS WRITTEN CONSENT OF PENTAIR INDIA PVT. LTD. THIS DOCUMENT AND ANY COPIES, IN ALL APPLICABLE FORMATS, SHALL BE RETURNED TO PENTAIR INDIA PVT. LTD. UPON REQUEST.

ALL INDICATED PENTAIR TRADEMARKS AND LOGOS ARE PROPERTY OF PENTAIR. THIRD PARTY REGISTERED AND UNREGISTERED TRADEMARKS AND LOGOS ARE PROPERTY OF THEIR RESPECTIVE OWNERS. BECAUSE WE ARE CONTINUOUSLY IMPROVING OUR PRODUCTS AND SERVICES, PENTAIR RESERVES THE RIGHT TO CHANGE SPECIFICATIONS WITHOUT PRIOR NOTICE. PENTAIR IS AN EQUAL OPPORTUNITY EMPLOYER.

© 2021 Pentair. All Rights Reserved.



DRAWN BY: RA	DRAWING DESCRIPTION: MODEL - 40E100 MEMBRANE HOUSING	DRAWING NO.: 518015	REV.: Q
DATE: 15/09/21	CUSTOMER NAME: -	VESSEL MODEL: 40E100	
CHECKED BY: KPS	DATE: 15/09/21	PROJECT NAME: -	TOTAL QTY: -
APPROVED BY: FF	DATE: 15/09/21		
ECN NO.: 5881	CUSTOMER P.O.#: -	SIZE: A3	SCALE: NONE
DATE: 16/12/21			PAGE NO.: 01 OF 02

RATING:

DESIGN PRESSURE.....1000 PSI
(6.90 Mpa)
MAX. OPERATING TEMP.....120°F
(49°C)
MIN. OPERATING TEMP.....20°F
(-7°C)
FACTORY TEST PRESSURE.....CE / ASME
1500 / 1100 PSI
(10.34 Mpa) / (7.58 MPa)
BURST PRESSURE.....6000 PSI
(41.37 MPa)

INTENDED USE:

The CodeLine Model 40E100 Fiberglass RO Pressure Vessel is designed for continuous, long term use as housing for reverse osmosis membrane elements to desalt typical sea waters at pressures up to 1000 psi. Any make of four-inch nominal diameter spiral-wound element is easily accommodated; the appropriate interfacing hardware for the element specified is furnished with the vessel.

The CodeLine Model 40E100 is designed in accordance with the engineering standards of the Boiler and Pressure Vessel Code of the American Society of Mechanical Engineers (ASME Code) Section X Edition 2021. F/C port, Bearing plate and Quick release spiral ring are designed as per Section VIII Division I Edition 2021. At small additional cost, vessels can be inspected during construction by an ASME Authorized inspector and ASME Code stamped.

The CodeLine Model 40E100 must be installed, operated and maintained in accordance with the listed precautions and good industrial practice to assure safe operation over a long service life.

The high performance reinforced plastic shell must be allowed to expand under pressure; undue restraint at support points or piping connections can cause leaks to develop in the shell. The end closure, incorporating close fitting, interlocking metal components, must be kept dry and free of corrosion; deterioration can lead to catastrophic mechanical failure of the head.

The end closures, incorporating close-fitting, interlocking metal components, must be kept dry and free of corrosion; deterioration can lead to catastrophic mechanical failure of the heads.

Pentair will assist the purchaser in determining the suitability of this standard vessel for their specific operating conditions. The final determination however, including evaluation of the standard material of construction for compatibility with the specific corrosive environment, shall be the responsibility of the purchaser.

Specifications are subject to change without notice.

PRECAUTIONS:

DO...read, understand and follow all instructions; failure to take every precaution will void warranty and may result in vessel failure
DO...mount the shell on horizontal members at span "S" using complaint vessel supports furnished; tighten hold down straps just snug
DO...provide overpressure protection for vessel set at not more than 105% of design pressure
DO...inspect end closures regularly; replace components that have deteriorated and correct causes of corrosion

DO NOT... make rigid piping connections to ports or clamp vessel in any way that resists growth of fiberglass shell under pressure; ΔDIA = 0.02 in. (0.5mm) and ΔL = 0.2 in. (5mm) for a length code -6 vessel
DO NOT... hang piping manifolds from ports or use vessel in any way to support other components;
DO NOT... operate vessel at pressures and temperatures in excess of its rating
DO NOT... operate vessel without permeate ports internally connected with a complete set of elements and interconnecting hardware
DO NOT... operate vessel with permeate pressure in excess of 125 psi at 120°F (0.86 MPa @ 49°C)
DO NOT... overtighten the connection to the permeate port (hand-tighten plus one-quarter turn, check for leaks)
DO NOT... tolerate leaks or allow end closures to be routinely wetted in any way
DO NOT... pressurize vessel until double-checking to verify that the retaining ring is completely inside the groove
DO NOT... work on any component until first verifying that pressure is relieved from vessel
DO NOT... operate outside the pH range 3-11

For complete information on proper use of this vessel please refer to the 40E100 USER'S GUIDE Bulletin 526005.

NOTE
Spiral Retaining Ring Removal Tool (50303)
Recommended to open and close vessel.

ORDERING:

Using the chart below, please check the features you require and fax them with your purchase order to our customer service department for expedited processing. For optional materials and/or features not listed below, please consult factory for pricing and availability.

Please note that we require your membrane brand and model number when ordering. If this information is not initially available, you may provide it at a later date by checking the appropriate box below.

VESSEL LENGTH CODE – please check one

MODEL 40E100 -1 -2 -3 -4 -5 -6 -7

MEMBRANE BRAND AND MODEL – please check one and fill in information

- Please supply adapters for the following membrane brand and specific model
Brand _____ Model _____
- Membrane brand and model information is not available, but will be supplied to Pentair on or before the following date ____/____/____

CERTIFICATION REQUIRED– please check one

- Hydro testing at 1.5 times the design pressure.
 - CE Marked.
- Hydro testing at 1.1 times the design pressure.
 - ASME Stamped and National Board Registered.
 - In compliance with the ASME Section X but not Code Stamped.

EXTERIOR FINISH – please check one

- White high-gloss RAL 9003 polyurethane coating.
- Optional colors are available for 50 or more vessels per order. Call factory for pricing details.

MATERIAL AND PORT CONFIGURATIONS OPTIONS– please check one

- All materials and port configurations as per drawing 518015 on the first page.
- Feed/Concentrate port, ¾" IPS Grooved (P/N 47473)

CAUTION:
EYE PROTECTION SHOULD BE WORN WHEN REMOVING OR INSTALLING RETAINING RINGS. KEEP FINGERS CLEAR FROM RETAINING RING WHILE INSTALLING LAST OF TWO TURNS. RING MAY SNAP INTO POSITION POSSIBLY PINCHING FINGERS.

THIS DOCUMENT AND THE INFORMATION CONTAINED HEREIN, ARE THE CONFIDENTIAL AND PROPRIETARY INFORMATION OF PENTAIR INDIA PVT. LTD. PENTAIR INDIA PVT. LTD. IS THE SOLE OWNER OF THE INFORMATION AND PROCESSES DEFINED HEREIN. THIS DOCUMENT, AND THE INFORMATION CONTAINED, MAY NOT BE DISCLOSED, REPRODUCED, DUPLICATED, USED, SOLD, PUBLISHED, COMMUNICATED OR OTHERWISE DISTRIBUTED, IN WHOLE OR IN PART, FOR ANY PURPOSE WITHOUT THE EXPRESS WRITTEN CONSENT OF PENTAIR INDIA PVT. LTD. THIS DOCUMENT AND ANY COPIES, IN ALL APPLICABLE FORMATS, SHALL BE RETURNED TO PENTAIR INDIA PVT. LTD. UPON REQUEST.

ALL INDICATED PENTAIR TRADEMARKS AND LOGOS ARE PROPERTY OF PENTAIR. THIRD PARTY REGISTERED AND UNREGISTERED TRADEMARKS AND LOGOS ARE PROPERTY OF THEIR RESPECTIVE OWNERS. BECAUSE WE ARE CONTINUOUSLY IMPROVING OUR PRODUCTS AND SERVICES, PENTAIR RESERVES THE RIGHT TO CHANGE SPECIFICATIONS WITHOUT PRIOR NOTICE. PENTAIR IS AN EQUAL OPPORTUNITY EMPLOYER.



DRAWN BY:	RA	DRAWING DESCRIPTION:	DRAWING NO.:	REV.:
DATE:	15/09/21	MODEL - 40E100 MEMBRANE HOUSING	518015	Q
CHECKED BY:	KPS	CUSTOMER NAME:	VESSEL MODEL:	
DATE:	15/09/21	-	40E100	
APPROVED BY:	FF	PROJECT NAME:	TOTAL QTY:	
DATE:	15/09/21	-	-	
ECN NO.:	5881	CUSTOMER P.O.#:	SIZE:	SCALE:
DATE:	16/12/21	-	A3	NONE
				PAGE NO.:
				02 OF 02